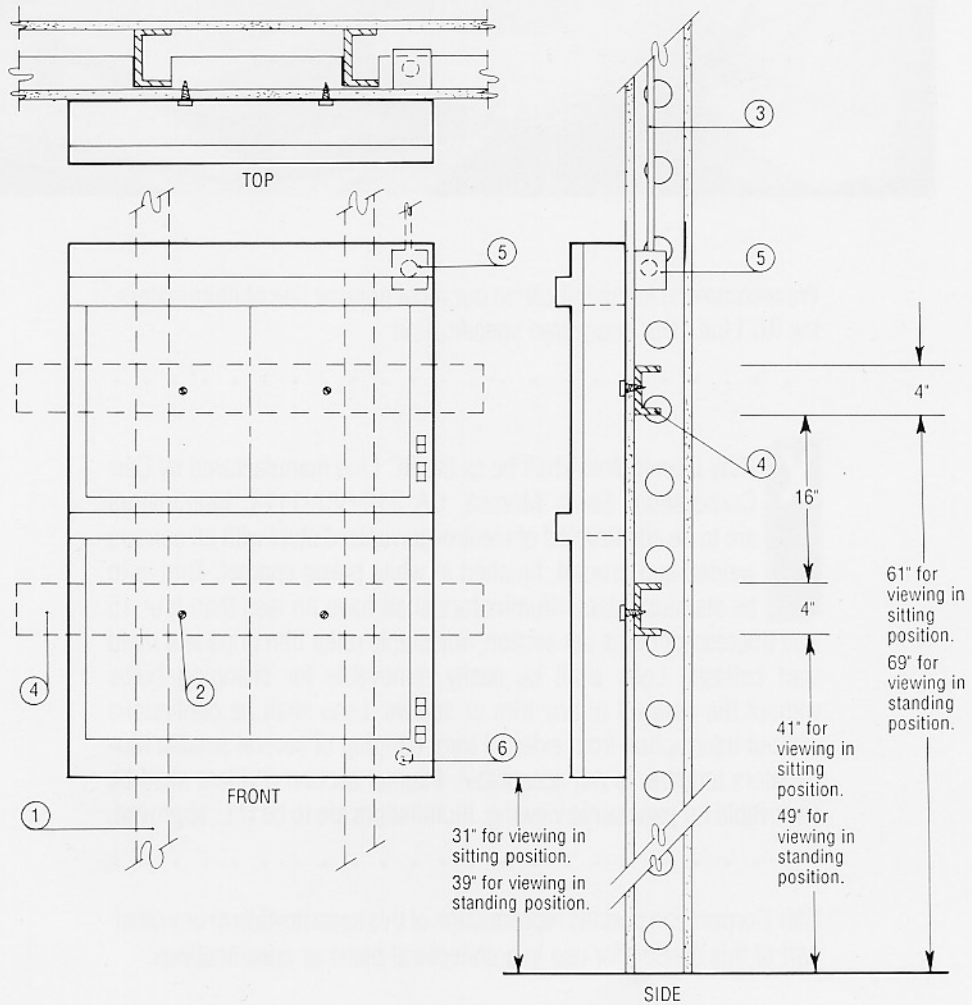


ARCHITECT'S INSTALLATION DETAILS

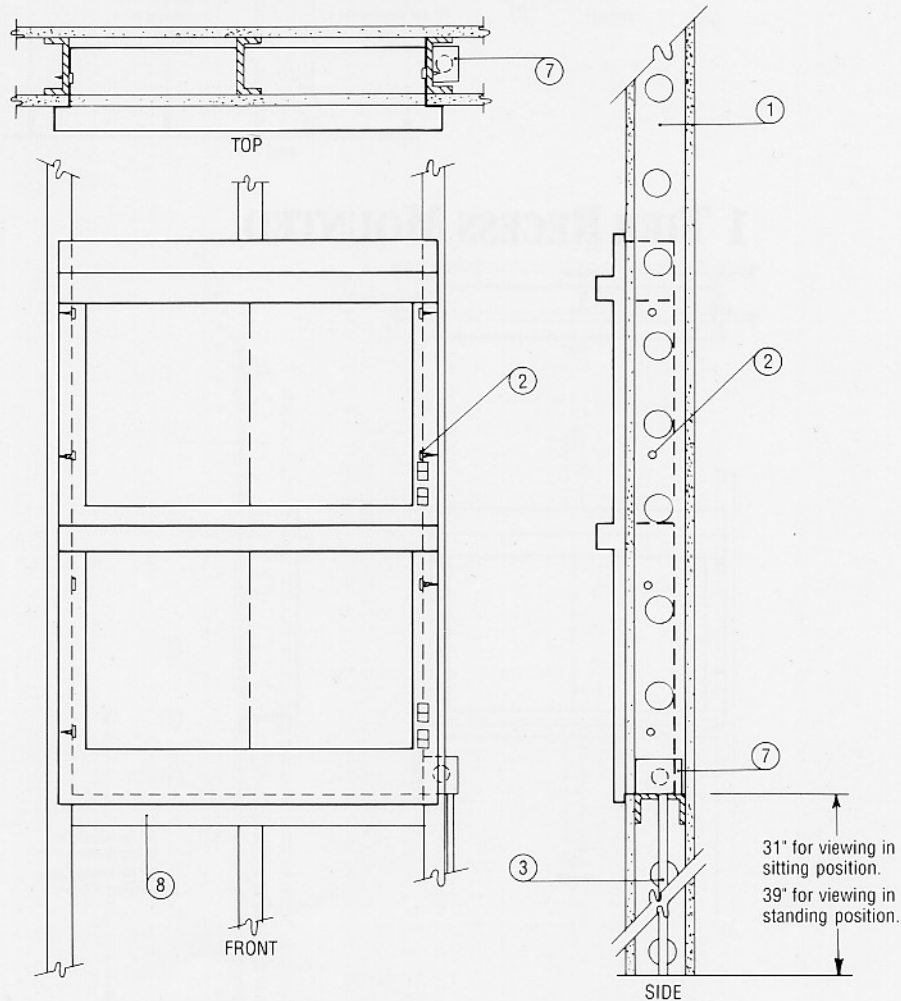


■ 2 TIER SURFACE MOUNTED

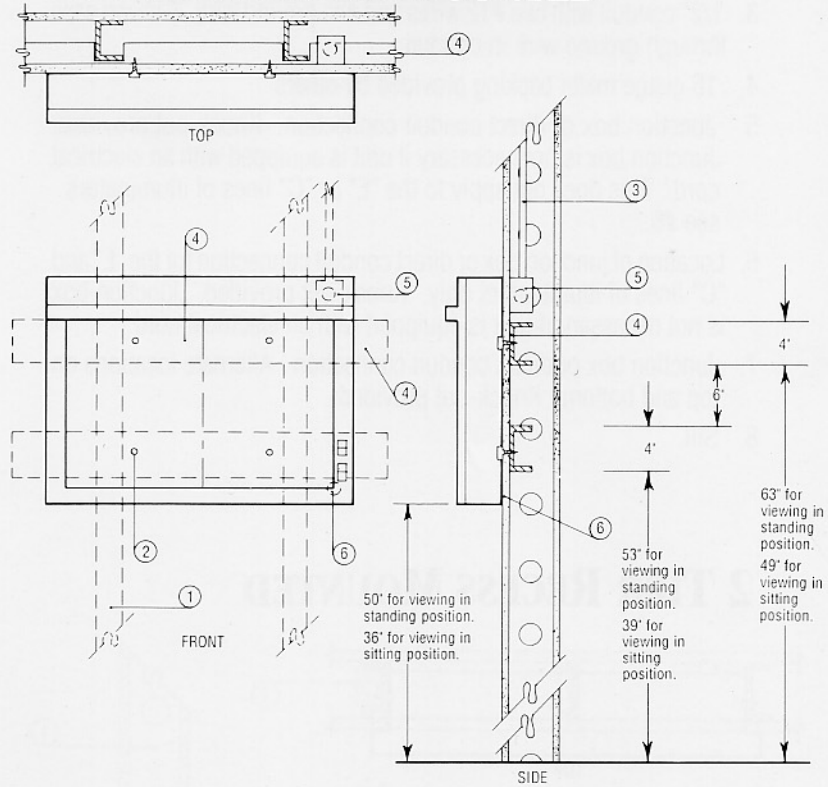


1. Metal or wood stud with plaster wallboard.
2. #10 sheet metal screws 1 1/2" long, self tapping, one in each panel. Remove glass from access.
3. 1/2" conduit with two #12 wires and one ground wire. Ground case through ground wire in conduit.
4. 16 gauge metal backing provided by others.
5. Junction box or direct conduit connection. Knock-out provided. Junction box is not necessary if unit is equipped with an electrical cord. This does not apply to the "E" or "C" lines of illuminators, see #6.
6. Location of junction box or direct conduit connection for the "E" and "C" lines of illuminators only. Knock-out provided. Junction box is not necessary if unit is equipped with an electrical cord.
7. Junction box or direct conduit connection. Alternate locations on top and bottom. Knock-out provided.
8. Sill.

2 TIER RECESS MOUNTED



1 TIER SURFACE MOUNTED



1 TIER RECESS MOUNTED

